

CLASS 125 / 150 SIMPLEX FLANGED BASKET STRAINER

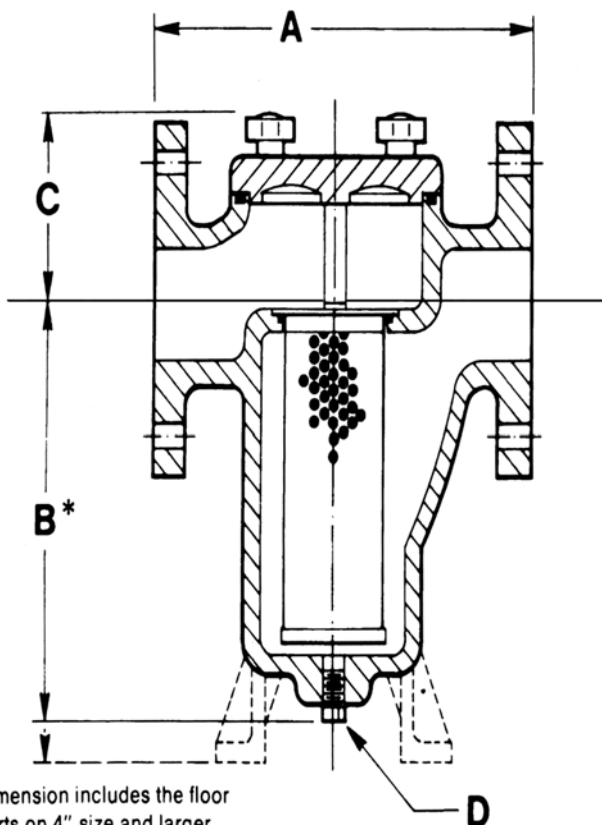
MODELS:

125F: Cast Iron (ASTM A126-B)

125FB: Bronze (ASTM B62, Type 85-5-5-5)

125FCS: Carbon Steel (ASTM A216, Gr. WCB)

125FSS: Stainless Steel (ASTM A351, Gr. CF8M)



* "B" dimension includes the floor supports on 4" size and larger.

DIMENSIONS & WEIGHTS ARE APPROXIMATE
(Apply for certified drawings)

WOG PRESSURE-TEMPERATURE RATINGS

(Note: the 125F series is **not** recommended for steam)

125F: Cast Iron 200 psi @ 150°F

125FB: Bronze 225 psi @ 150°F

125FCS: Carbon Steel 285 psi @ 100°F

125FSS: Stainless Steel 275 psi @ 100°F

SERVICE RECOMMENDATIONS

These strainers are used to remove foreign matter from pipe lines and provide inexpensive protection to pumps, meters, valves, etc. In appropriate material, the Fabrotech 125F series can be specified for drinking water, cooling water, sea water, etc.

FEATURES

These strainers have been designed for applications where easy maintenance & large capacity straining are needed. Service time is minimal because the cover is secured with quick opening, non-yoke type knobs. Both the cover & the basket use O-ring seals, eliminating the need to replace gaskets each time the strainer is serviced. This, combined with the machined basket seat eliminates particle bypass. With the appropriate wire mesh lining, these models can be used to strain particles as small as five microns.

CONSTRUCTION

Cast cover and body. All sizes feature an O-ring cover seal. Baskets and O-ring are sealed in machined seats. Quick release knobs are insert molded with metal threads. A plugged NPT connection is provided ("D"). Coatings are available on application. Standard basket is .062 perf 304 ss for sizes 1" thru 4". Sizes 5" and larger have 1/8" perf 304ss baskets. Buna-N O-ring is standard for all models except stainless steel, which is supplied with a Viton O-ring. Floor supports with bolting holes are provided on sizes 4" & larger.

CAPACITY: Minimum 6 to 1 open area ratio.

Fabrotech does not recommend this strainer for steam use.

SIZE in.	1"	1 1/4"	1 1/2"	2"	2 1/2"	3"	4"	5"	6"	8"
mm	25	32	40	50	65	80	100	125	150	200
A	5 11/16	6 15/16	6 15/16	9	10 3/8	11 3/4	15	18 3/8	20 1/4	27 3/8
B	4 11/16	6 1/2	6 1/2	7 7/8	8 3/4	11 3/8	15 7/8	18 3/8	22 3/8	27 3/4
C	2 3/4	3	3	3 5/8	4	4 1/2	5 3/4	7 7/16	8 3/16	9 3/16
D (npt)	3/8	1/2	1/2	3/4	1	1	2	2	2	2
WEIGHTS (lb.)										
Cast Iron	9	15	15	26	38	62	118	170	266	518
Bronze	11	18	18	31	45	72	147	210	315	553
Carbon/Stainless	10	16	16	25	41	65	135	190	270	497
Clean Cv	25	42	42	70	110	150	250	400	550	900



Purple Engineering

Australian Distributor:

Phone: +61-1300 62 40 20

Fax: +61-8-6323 0605

Email: Sales@Purple-Eng.com.au

Skype: Purple.Engineering