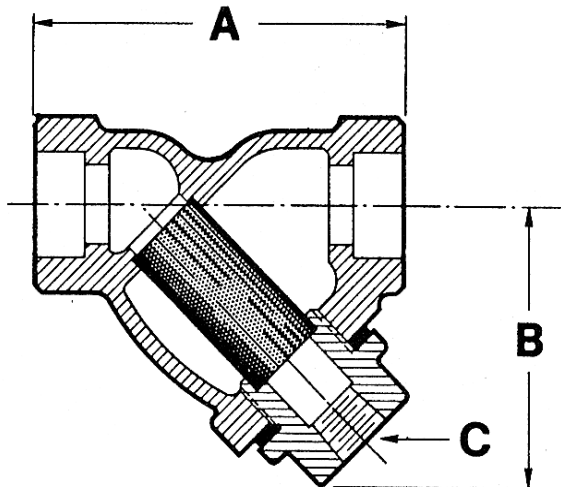


# CAST BRONZE SOLDER ENDS SELF CLEANING "Y" STRAINER

## MODEL: B5-150



### PRESSURE-TEMPERATURE RATINGS

WOG:	200 psi @ 150 ° F
STEAM:	150 psi @ 350 ° F

### SERVICE RECOMMENDATIONS

These strainers are designed for dependable service under moderate conditions. They offer complete protection to mechanical equipment such as pumps & valves at moderate pressures & temperatures. Self cleaning is readily accomplished by opening the plug/valve connected to the blow-off outlet.

### FEATURES

The B5-150 contains a threaded cap, which is easily opened to provide access to the screen. The body and cap have machined seats which ensure proper screen fit. Sizes 1/4" thru 2" are furnished with a plugged blowoff, and sizes 2 1/2" & 3" are furnished unplugged as standard.

### SCREENS

20 mesh (1/32" openings) 304 stainless steel screens are normally furnished up to and including the 2 inch size. 2 1/2" & 3" are supplied with 1/16" perf.

Other screen materials, such as Monel, Hastelloy-C, & Alloy-20 are available. Other perforation sizes and/or mesh lining are also available.

### CONSTRUCTION

The body and cap are cast from bronze (ASTM B-62). For sizes 2 inch and smaller nominal pipe size, the furnished plug is brass. The gasket for all models is non-asbestos. Standard screens are type 304 stainless steel.

DIMENSIONS & WEIGHTS APPROXIMATE  
(Apply for certified drawings)

### INDIVIDUALLY HYDROSTATICALLY TESTED

SIZE in.	1/4"	3/8"	1/2"	3/4"	1"	1 1/4"	1 1/2"	2"	2 1/2"	3"
mm	8	10	15	20	25	32	40	50	65	80
A	3 1/8	3 1/8	3 3/8	4 1/4	5	5 7/8	6 7/8	8 5/8	8 1/4	9
B	2 1/4	2 1/4	2 1/4	2 5/8	3 3/16	3 3/4	4 1/8	5 1/8	6	6 3/4
C (NPT)	3/8	3/8	3/8	3/8	1/2	1/2	1/2	1/2	1	1
WT (lb)	0.75	0.75	0.75	1	2.2	2.75	3.25	5.75	12.50	18



Purple Engineering

Australian Distributor:

Phone: +61-1300 62 40 20  
 Fax: +61-8-6323 0605  
 Email: Sales@Purple-Eng.com.au  
 Skype: Purple.Engineering