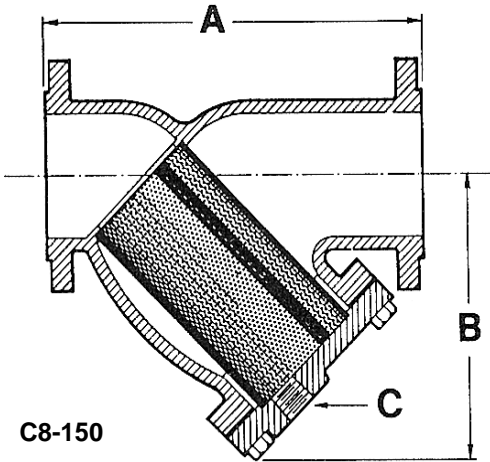


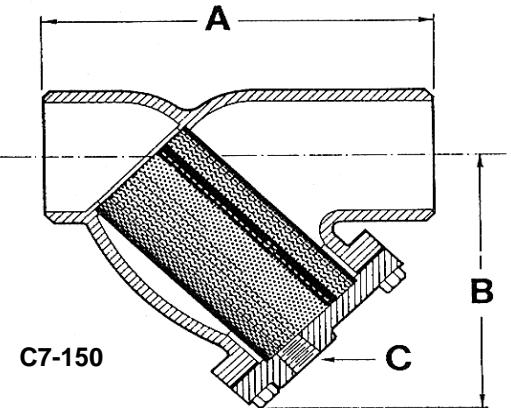
150 LB. CAST CARBON STEEL FLANGED & BUTTWELD "Y" STRAINERS

MODELS: C8-150 & C7-150

PRESSURE-TEMPERATURE RATINGS	
STEAM:	150 psi @ 565 ° F
WOG:	285 psi @ 100 ° F



C8-150



C7-150

DIMENSIONS & WEIGHTS APPROXIMATE
(Apply for certified drawings)

SERVICE RECOMMENDATIONS

These strainers are designed for dependable service under demanding conditions. They offer complete protection to mechanical equipment such as pumps & valves at high temperatures & pressures. Self cleaning is readily accomplished by opening the plug or valve connected to the blow-off outlet (not supplied).

FEATURES

All sizes feature a bolted cover machined to receive the screen. Cover gaskets are designed for high temperature service. Studs are A193-B7 & the nuts are A194-2H hex. Covers are supplied with a NPT blowoff tapping, but without a plug.

SCREENS

Fabrotech supplies sturdy 304 SS screens which are normally furnished in the following perforations:

SERVICE:	1/2" - 4"	5" to 14"
Steam:	.033"	.045"
Liquid :	.062"	1/8"

Other materials, such as Monel, Hastelloy C, & Alloy-20 are available. Other perforation sizes and/or mesh lining is also available.

CONSTRUCTION

As a standard, the body is constructed of Carbon Steel ASTM A216 Gr. WCB. Both models are available in Chrome Moly (ASTM A217 Gr. WC6 & WC9). The standard cover is HRS plate. Available in Chrome Moly (WC6 & WC9) & Carbon Moly LCB. The bodies of both the C8-150 & C7-150 are designed to meet 150 lb. ANSI specifications. Model C8-150 has RF flanges per ASME B16.5 and model C7-150 ends are machined to match standard weight pipe. All models have machined seats in the body & cover to ensure accurate screen alignment.

SIZE	in.	1/2"	3/4"	1"	1 1/4"	1 1/2"	2"	2 1/2"	3"	4"	5"	6"	8"	10"	12"	14"
	mm	15	20	25	32	40	50	65	80	100	125	150	200	250	300	350
A	C8-150	5 7/8	7 3/8	7 3/8	7	7 1/8	7 7/8	9 3/4	10 1/16	12 1/8	15 5/8	18 1/2	21 3/8	26	29 7/8	33 1/4
	C7-150	6 5/8	8 5/16	8 5/16	10 1/8	10 1/4	8 5/8	10 5/8	12	14 1/2	16 3/8	20	23 3/8	27 3/8	32	35
B	C8-150	3 1/2	3 3/4	3 3/4	4 3/4	4 3/4	5 1/4	6 1/2	7	8 1/4	11 1/4	13 1/2	15 1/2	18 1/2	21 3/4	25
	C7-150	3 1/2	3 3/4	3 3/4	5 1/4	5 1/4	5 1/4	6 1/2	7	8 1/4	11 1/4	13 1/2	15 3/4	19	22 1/4	25
C	NPT	3/8	1/2	1/2	1/2	1/2	1/2	1	1	1	1 1/2	2	2	2	2	2
WT (lb)	C8-150	5 1/2	10 1/4	10 1/4	9 3/4	12 1/2	18	28	34	58	90	125	220	320	550	980
	C7-150	3	9	9	12	13	10	14	20	40	60	90	168	250	440	765
Clean Cv (gpm)		30	35	40	40	40	70	100	150	250	390	550	900	1500	2200	3100

Also available in sizes 16" thru 24"

