

# DUPLEX STRAINERS 3/4" - 6"

MODELS: #791, 792, 794: (3/4" - 6")

#796: (1" - 3")

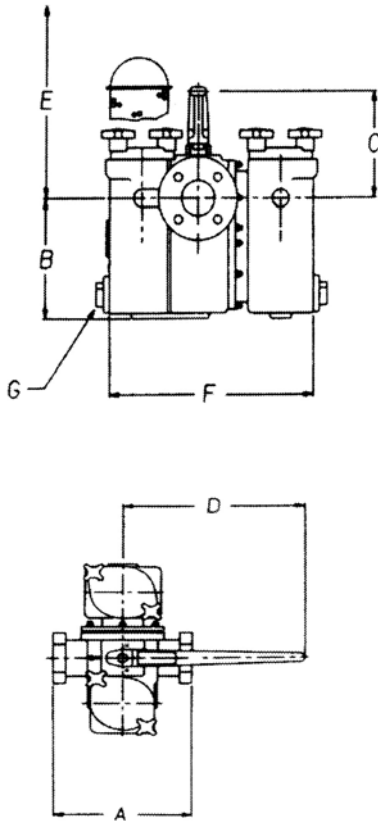
## PRESSURE - TEMPERATURE RATING

#791 (CLASS 125) 200 PSI-WOG @ 150°F

#792 (CLASS 150) 285 PSI-WOG @ 100°F

#794 (CLASS 300) 740 PSI-WOG @ 100°F

#796 (CLASS 600) 750 PSI-WOG @ 100°F



### SERVICE RECOMMENDATIONS:

These strainers are designed for use in fluid handling systems where the flow cannot be shut down for basket cleaning such as cooling water, compressors, condensers, fire lines, fuel lines, lubrication systems, and salt and fresh water systems. Not recommended for steam service.

### FEATURES:

These Duplex strainers use 3-way balls as diverter valves. This design with its PTFE seats provide bubble-tight shut-off, eliminating the costly and potentially dangerous leakage into the chamber not in use. The two part body casting allows true-inline maintainability. All parts of the valve are accessible after removing the basket chamber without removing the strainer from the line. A gear operator is standard on the 4" & 6" units, allowing for a very easy change over. On models with a handle, the chamber in use is covered by the handle preventing accidental opening of the pressurized chamber and allowing easy access to the side to be serviced. The large open area ratio of the basket assures a minimum pressure drop across the unit. Perforated stainless steel (304) baskets are standard on all models, with mesh lining optional.

**Testing:** Shell pressure test = 1.5 times the working pressure  
Valve seat test pressure = 80 PSI Air

**Materials:** Cast Iron ASTM A126-B  
Carbon Steel ASTM A216 Grade WCB  
316 Stainless Steel ASTM A351 Grade CF8M  
Bronze ASTM B62 (85-5-5-5)

**Seats:** Teflon™  
**O-Rings:** Buna - N

NOMINAL Size		A	B	C	D	E	F	G	LB	Kg
inches	mm	SCREWED END								
3/4"	10	5 1/2	4 15/16	4 1/16	10	6 7/16	8 11/16	1/2	27	12
1"	25	5 1/2	4 15/16	4 1/16	10	6 7/16	8 11/16	1/2	28	12
1 1/4"	32	7 1/2	6 3/4	4 1/4	10	7 1/5	13 7/8	1 1/4	70	32
1 1/2"	40	7 1/2	6 3/4	4 1/4	10	7 1/5	13 7/8	1 1/4	70	32
2"	50	10	8 1/5	7 1/8	20	12 1/2	14 1/2	1 1/4	94	43
2 1/2"	65	11 5/8	12	8 1/16	20	17 21/32	18 3/8	1 1/2	136	62
3"	80	11 5/8	12	8 1/16	20	17 21/32	18 3/8	1 1/2	136	62

NOMINAL Size		CLASS		FLANGED END							
inches	mm	150	300								
1"	25	6 7/8	6 7/8	4 15/16	4 1/16	10	6 7/16	8 11/16	1/2	33	15
1 1/4"	32	9 3/8	9 3/8	6 3/4	4 1/4	10	7 3/16	13 7/8	1 1/4	60	27
1 1/2"	40	9 3/8	9 3/8	6 3/4	4 1/4	10	7 3/16	13 7/8	1 1/4	60	27
2"	50	10 5/8	10 5/8	8 3/16	7 1/8	20	12 1/2	14 1/2	1 1/4	100	46
2 1/2"	65	13 1/2	12	12	8 1/16	20	17 21/32	18 3/8	1 1/2	160	73
3"	80	13 1/2	12	12	8 1/16	20	17 21/32	18 3/8	1 1/2	160	73
4"	100	16	16 1/2	15 3/4	15 1/2	10+	23 3/8	22 3/4	1 1/2	320	146
5"	150	22	22 7/8	17	17 1/4	10+	25 1/4	24 1/4	1 1/2	610	277
6"	200	22	22 7/8	17	17 1/4	10+	25 1/4	24 1/4	1 1/2	610	277

DIMENSIONS & WEIGHTS  
ARE APPROXIMATE  
(Apply for certified drawings)



Purple Engineering

Australian Distributor:

Phone: +61-1300 62 40 20  
Fax: +61-8-6323 0605  
Email: Sales@Purple-Eng.com.au  
Skype: Purple.Engineering