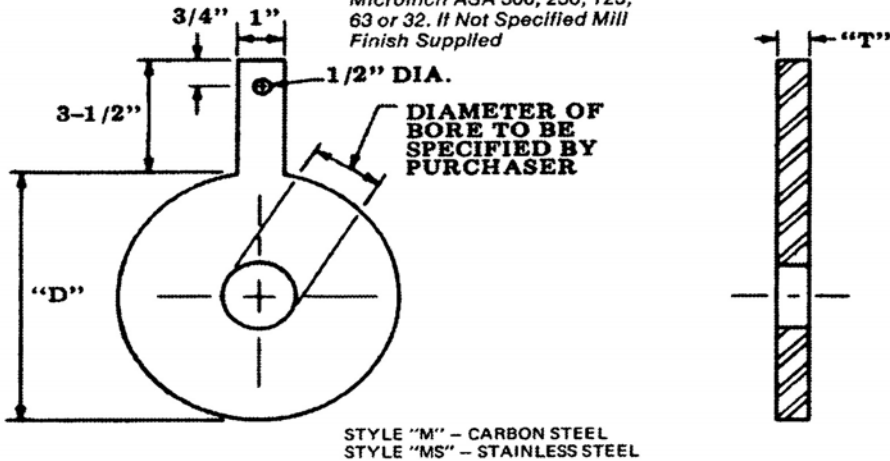


MICROFINISHED ORIFICE PLATES

WHEN ORDERING – SPECIFY
 1. Material if Other Than Standard
 2. Diameter of Bore
 3. With or Without Handle
 4. Surface Finish – Available in Microinch ASA 500, 250, 125, 63 or 32. If Not Specified Mill Finish Supplied



STYLE "M" – CARBON STEEL
 STYLE "MS" – STAINLESS STEEL

Pipe Size	150# "D"	300# "D"	600# "D"	900# "D"	1500# "D"	"T"
1/2"	1 7/8	2 1/8	2 1/8	2 1/2	2 1/2	1/8
3/4"	2 1/4	2 5/8	2 5/8	2 3/4	2 3/4	1/8
1"	2 3/8	2 5/8	2 5/8	2 7/8	2 7/8	1/8
1 1/4"	2 3/4	3	3	3 1/4	3 1/4	1/8
1 1/2"	3 1/8	3 1/2	3 1/2	3 5/8	3 5/8	1/8
2"	3 7/8	4 1/8	4 1/8	5 3/8	5 3/8	1/8
2 1/2"	4 5/8	4 7/8	4 7/8	6 1/4	6 1/4	1/8
3"	5 1/8	5 5/8	5 5/8	6 3/8	6 5/8	1/8
4"	6 5/8	6 3/4	7 3/8	7 7/8	8	1/8
5"	7 1/2	8 1/8	9 1/4	9 1/2	9 3/4	1/8
6"	8 1/2	9 1/2	10 1/4	11 1/8	10 7/8	1/8
8"	10 3/4	11 3/4	12 3/8	13 7/8	13 5/8	1/8
10"	13 1/8	13 7/8	15 1/2	16 7/8	16 7/8	3/16
12"	15 7/8	16 1/4	17 3/4	19 3/8	20 1/4	3/16
14"	17 1/2	18 3/4	19 1/8	20 1/4	22 1/2	1/4
16"	20	20 7/8	22	22 3/8	25	1/4
18"	21 3/8	23 1/8	23 7/8	24 7/8	27 1/2	1/4
20"	23 5/8	25 1/4	26 5/8	27 1/4	29 1/2	1/4

ALL DIMENSIONS IN INCHES - LARGER SIZES AVAILABLE

- Notes:
1. For use with Flat or Raised Face Flanges.
 2. Available with Ring Type Joint.
 3. Available with Phonographic Serrated Finish.



Purple Engineering

Australian Distributor:

Phone: +61-1300 62 40 20
 Fax: +61-8-6323 0605
 Email: Sales@Purple-Eng.com.au
 Skype: Purple.Engineering