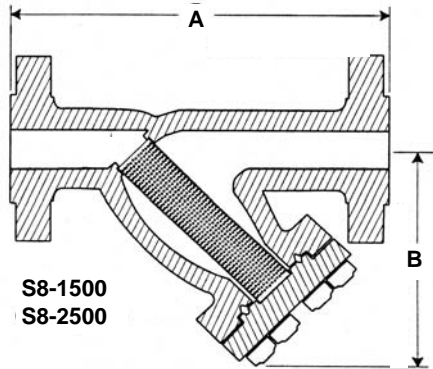


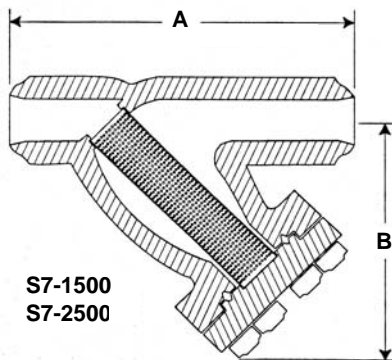
CLASS 1500 & 2500 STAINLESS STEEL FLANGED & BUTTWELDED "Y" STRAINERS

MODELS:

S8-1500 & S8-2500 (FLANGED)
S7-1500 & S7-2500 (BUTTWELDED)



S8-1500
S8-2500



S7-1500
S7-2500

PRESSURE-TEMPERATURE RATINGS (per ANSI B16.5)		
STEAM:	S8-1500/S7-1500	1500 psi @ 1125° F
	S8-2500/S7-2500	2500 psi @ 1125° F
WOG:	S8-1500/S7-1500	3600 psi @ 100° F
	S8-2500/S7-2500	6000 psi @ 100° F

SERVICE RECOMMENDATIONS

These strainers are designed for long term use under very high pressure and temperature conditions. They will provide excellent protection to mechanical equipment in a corrosive environment.

FEATURES

All sizes have a machined body seat, which combined with the machined seat in the cover flange, creates a secure alignment for the screen. Cover flanges are furnished blind but SW or NPT connections are available. Alloy bolting and stainless steel spiral wound gaskets are standard in all sizes.

SCREENS

Fabrotech supplies heavy gauge 304 SS screens which are furnished in the following perforations:

Steam Service: To 4" - .033" perf. 5" and up - .045" perf
Liquid Service: To 4" - .062" perf. 5" and up - 1/8" perf

CONSTRUCTION

These strainers are cast in type 316 Stainless Steel (ASTM A351, CF8M). All flanges are drilled in accordance with ANSI B16.5. Ring Type Joint (RTJ) flanges are available. The S7-1500 is typically machined to mate to schedule 80 pipe, S7-2500 is machined to match double "extra-heavy" strong pipe. We can also machine to match the bore of your specific pipe.

DIMENSIONS/WEIGHTS APPROX. (Apply for certified drawings)

INDIVIDUALLY HYDROSTATICALLY TESTED

SIZE	in. mm	1/2"	3/4"	1"	1 1/4"	1 1/2"	2"	2 1/2"	3"	4"	6"	8"
		15	20	25	32	40	50	65	80	100	150	200
A	S8-1500	8 1/8	9 1/16	10 3/4	12	12	13 15/16	-	17 1/2	23 1/4	30 5/8	39
	S8-2500	12 5/8	12 5/8	12 5/8	16 7/8	16 7/8	18 15/16	25 3/4	26 3/4	33 5/8	33 3/4	-
	S7-1500	7 3/8	8 3/16	9 11/16	12	12	13 15/16	-	17 1/2	23 3/8	31	36 7/8
	S7-2500	12 5/8	12 5/8	12 5/8	16 7/8	16 7/8	17	23	23	33 3/8	31	-
B	S8-1500	4 1/4	4 3/4	5 3/4	6 3/4	6 3/4	7 1/2	-	10 3/4	15	20 1/2	26 15/16
	S8-2500	7 11/16	7 11/16	7 11/16	10 1/2	10 1/2	12 1/2	18 13/16	18 13/16	20 1/4	23	-
	S7-1500	4 1/4	4 3/4	5 3/4	6 3/4	6 3/4	7 1/2	-	10 3/4	15	20	26 15/16
	S7-2500	7 11/16	7 11/16	7 11/16	10 1/2	10 1/2	12 1/2	18 13/16	18 13/16	22 1/4	24	-
WT (lb.)	C8-1500	20	30	52	64 1/2	64 1/2	93	-	185	334	770	1200
	C8-2500	30	40	65	140	140	240	500	560	850	1430	-
	S8-1500	20	30	52	64 1/2	64 1/2	93	-	185	334	770	1200
	S8-2500	30	40	65	140	140	240	500	560	850	1710	-
	S7-1500	10	17	25	29	29	45	-	100	266	621	1100
	S7-2500	55	55	55	89	89	174	454	454	627	910	-
Clean Cv (gpm)		30	35	40	40	40	70	100	150	250	550	900



Purple Engineering

Australian Distributor:

Phone: +61-1300 62 40 20
 Fax: +61-8-6323 0605
 Email: Sales@Purple-Eng.com.au
 Skype: Purple.Engineering