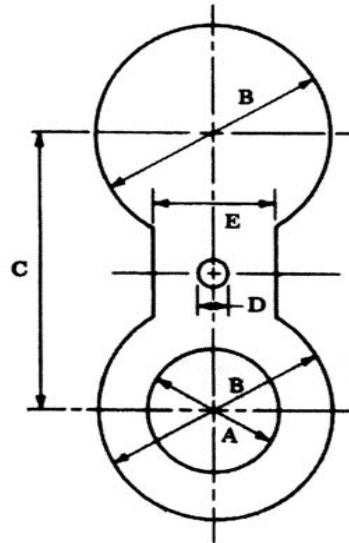


SPECTACLE BLINDS - SINGLE BLINDS - RING SPACERS

Notes:

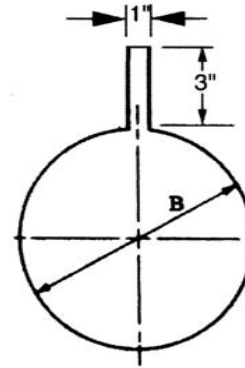
1. For use with Flat or Raised Face Flanges.
2. Specify Surface in Microinch ASA 500, 250, 125, 63 or 32. If not specified, Mill Finish Supplied.
3. Available with Phonographic Serrated Surface or Ground Finish. Available with Ring Type Joint.

All Dims Per ASME B16.48



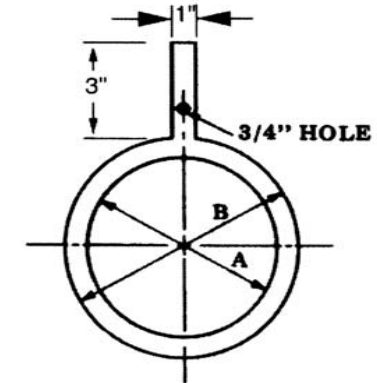
SPECTACLE FLANGE

STYLE "J" - CARBON STEEL
STYLE "JS" - STAINLESS STEEL



SINGLE BLIND

STYLE "K" - CARBON STEEL
STYLE "KS" - STAINLESS STEEL



RING SPACER

STYLE "L" - CARBON STEEL
STYLE "LS" - STAINLESS STEEL

PIPE SIZE	150# FLANGES						300# FLANGES						600# FLANGES					
	A	B	C	D	E	THK	A	B	C	D	E	THK	A	B	C	D	E	THK
1/2"	5/8	1 3/4	2 3/8	5/8	1 1/2	1/4	5/8	2	2 5/8	5/8	1 1/2	1/4	5/8	2	2 5/8	5/8	1 1/2	1/4
3/4"	13/16	2 1/8	2 3/4	5/8	1 1/2	1/4	13/16	2 1/2	3 1/4	3/4	1 1/2	1/4	13/16	2 1/2	3 1/4	3/4	1 1/2	1/4
1"	1 1/8	2 1/2	3 1/8	9/16	1 1/2	1/4	1 1/8	2 3/4	3 1/2	11/16	1 1/2	1/4	1 1/8	2 3/4	3 1/2	3/4	2 1/4	1/4
1 1/4"	1 5/8	2 7/8	3 1/2	9/16	1 1/2	1/4	1 5/8	3 1/8	3 7/8	11/16	1 1/2	1/4	1 7/16	3 1/8	3 7/8	3/4	2 1/4	3/8
1 1/2"	1 7/8	3 1/4	3 7/8	9/16	1 1/2	1/4	1 7/8	3 5/8	4 1/2	7/8	2	1/4	1 11/16	3 5/8	4 1/2	7/8	2 5/8	3/8
2"	2 3/8	4	4 3/4	11/16	2	1/4	2 3/8	4 1/4	5	3/4	2	3/8	2 1/8	4 1/4	5	3/4	2 1/4	3/8
2 1/2"	2 7/8	4 3/4	5 1/2	11/16	2	1/4	2 7/8	5	5 7/8	7/8	2 1/2	3/8	2 5/8	5	5 7/8	7/8	2 5/8	1/2
3"	3 1/2	5 1/4	6	11/16	2 1/2	1/4	3 1/2	5 3/4	6 5/8	7/8	2 1/2	3/8	3 1/4	5 3/4	6 5/8	7/8	2 5/8	1/2
4"	4 1/2	6 3/4	7 1/2	3/4	2 1/2	3/8	4 1/2	7	7 7/8	7/8	2 1/2	1/2	4 1/4	7 1/2	8 1/2	1	3	5/8
5"	5 9/16	7 5/8	8 1/2	7/8	3	3/8	5 5/8	8 3/8	9 1/4	7/8	3	5/8	5 1/4	9 3/8	10 1/2	1 1/8	3 3/8	3/4
6"	6 5/8	8 5/8	9 1/2	7/8	3	1/2	6 5/8	9 3/4	10 5/8	7/8	3	5/8	6 3/8	10 3/8	11 1/2	1 1/8	3 3/8	7/8
8"	8 5/8	10 7/8	11 3/4	7/8	3	1/2	8 5/8	12	13	1	3 1/2	7/8	8 3/8	12 1/2	13 3/4	1 1/4	3 3/4	1 1/8
10"	10 3/4	13 1/4	14 1/4	1	4	5/8	10 3/4	14 1/8	15 1/4	1 1/8	4	1	10 7/16	15 5/8	17	1 3/8	4 1/8	1 3/8
12"	12 3/4	16	17	1	4	3/4	12 3/4	16 1/2	17 3/4	1 1/4	4	1 1/8	12 3/8	17 7/8	19 1/4	1 3/8	4 1/8	1 5/8
14"	14	17 5/8	18 3/4	1 1/8	4 1/4	3/4	14	19	20 1/4	1 1/4	4 3/4	1 1/4	13 5/8	19 1/4	20 3/4	1 1/2	4 1/2	1 3/4
16"	16	20 1/8	21 1/4	1 1/8	4 1/4	7/8	16	21 1/8	22 1/2	1 3/8	4 7/8	1 1/2	15 5/8	22 1/8	23 3/4	1 5/8	4 7/8	2
18"	18	21 1/2	22 3/4	1 1/4	4 1/2	1	18	23 3/8	24 3/4	1 3/8	4 1/2	1 5/8	17 5/8	24	25 3/4	1 3/4	5 1/4	2 1/8
20"	20	23 3/4	25	1 1/4	4 3/4	1 1/8	20	25 5/8	27	1 3/8	4 3/4	1 3/4	19 5/16	26 3/4	28 1/2	1 3/4	5 1/4	2 1/2
24"	24	28 1/8	29 1/2	1 3/8	5 1/2	1 1/4	24	30 3/8	32	1 5/8	5 1/2	2	23 1/2	31	33	2	6	2 7/8

ALL DIMENSIONS IN INCHES - LARGER SIZES AVAILABLE



Purple Engineering

Australian Distributor:

Phone: +61-1300 62 40 20
 Fax: +61-8-6323 0605
 Email: Sales@Purple-Eng.com.au
 Skype: Purple.Engineering

REVISED 03-09